

VISIONS

BECOME TRUE

D GB

AMEWI

SCALER

2.4GHZ

Rear Steering Only



20+
km/h

4 Wheel
Drive Truck

Bedienungsanleitung / Instruction Manual

Art.-Nr. / Item No.: 22188

AMEWI Trade e.K.
Nikolaus-Otto-Str. 6
33178 Borcheln

1:10
1:10 SCALE
CRAWLER

7.4V 1500mAh
BATTERY

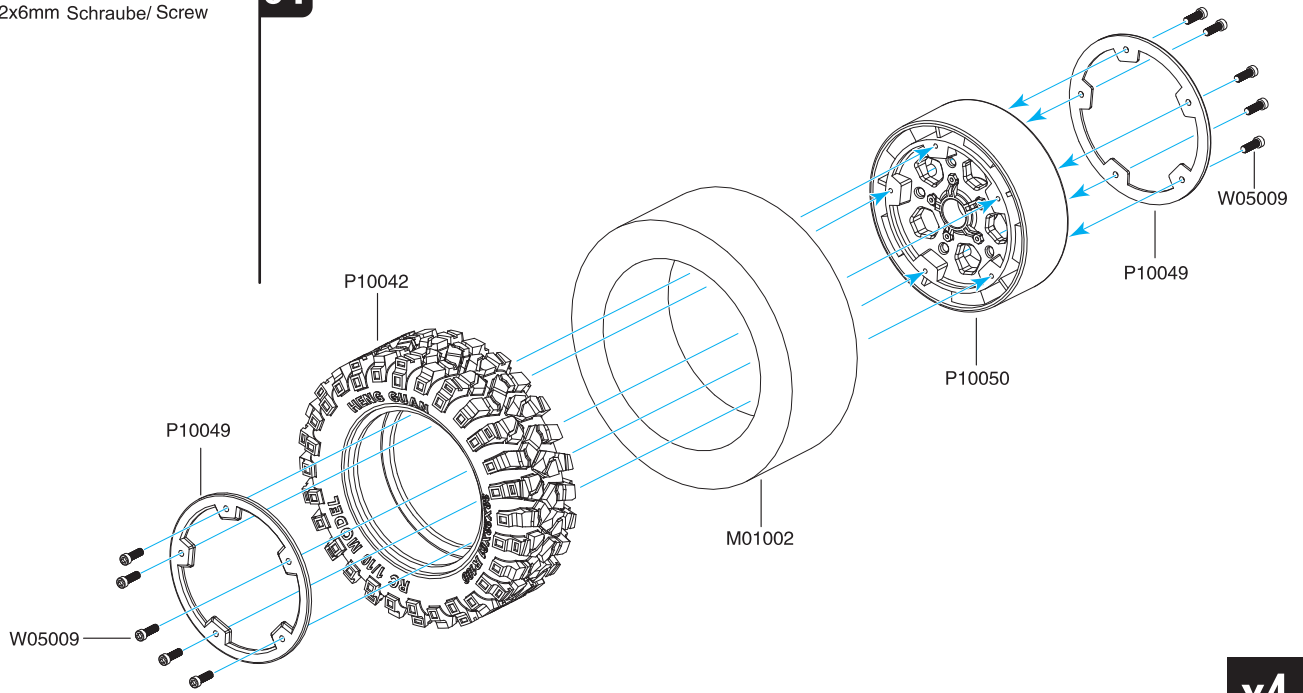
4 WHEEL
STEERING

4x4
4 WHEEL DRIVE


RAMPING ADJUSTABLE
SHOCK-ABSORBER

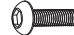
 10
W05009 2x6mm Schraube/ Screw

01

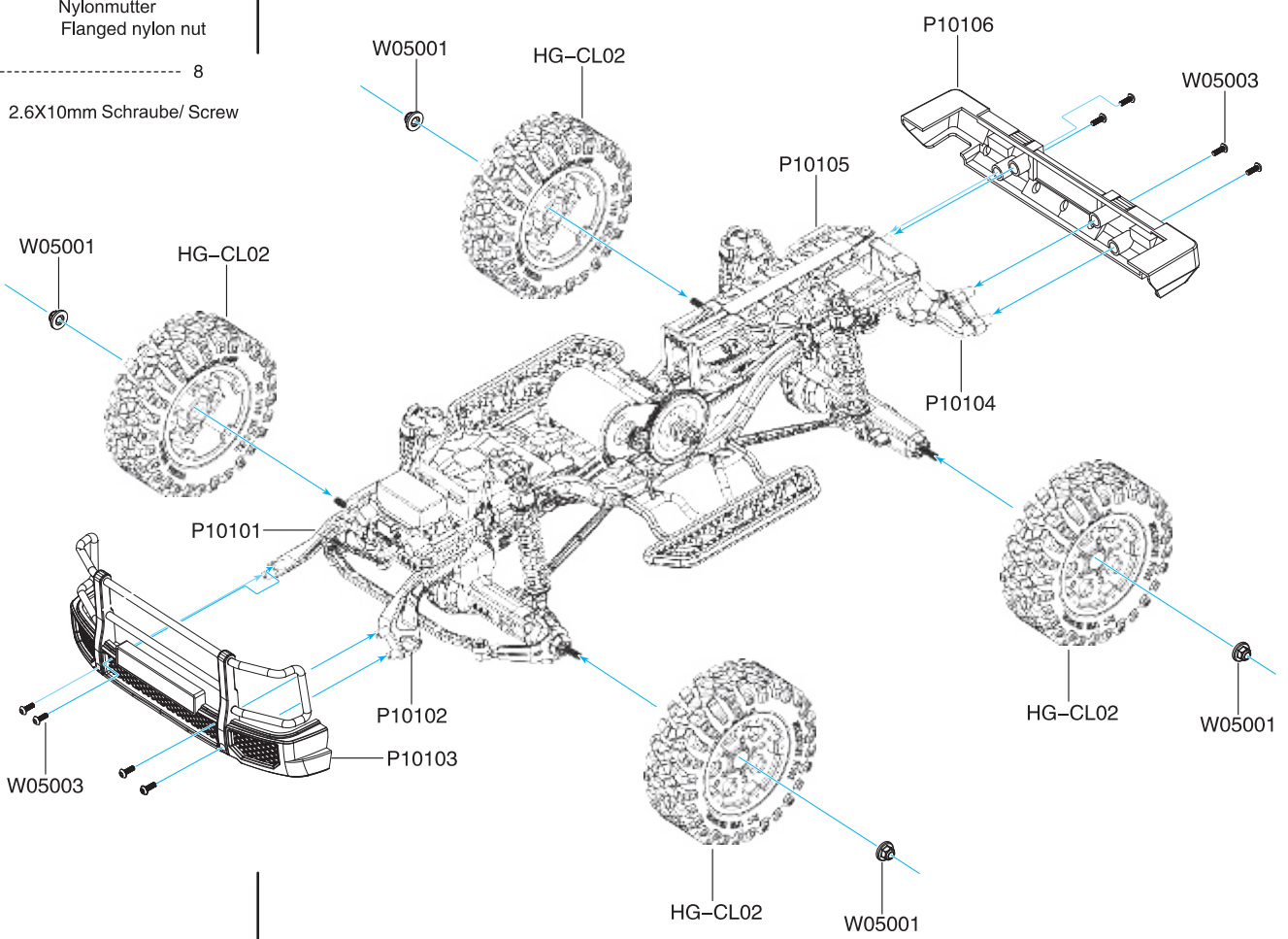


x4







 4
W05001 4mm geflanschte Nylonmutter Flanged nylon nut

 8
W05003 2.6X10mm Schraube/ Screw

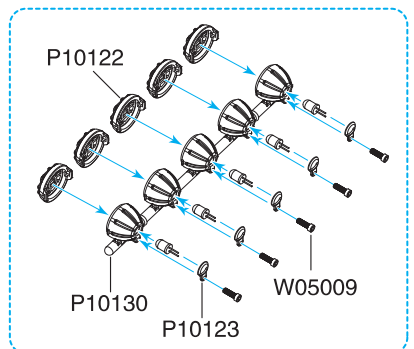
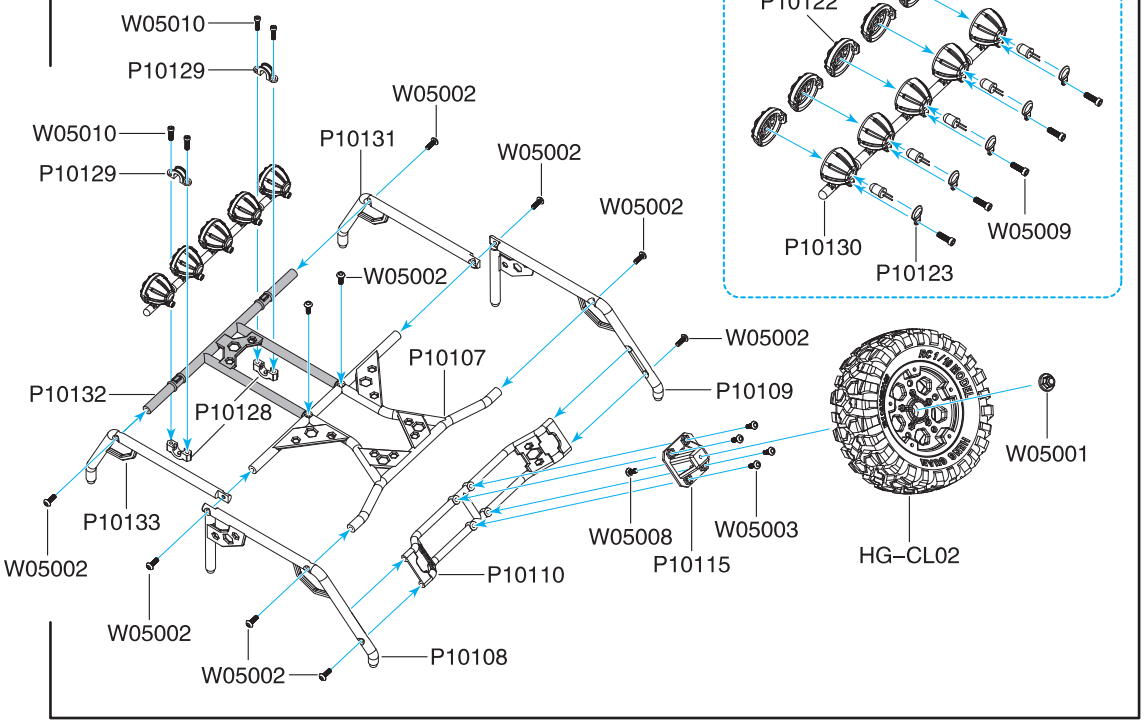
02




01

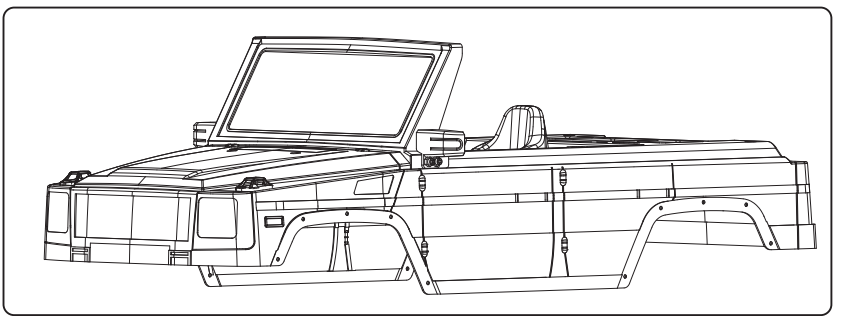
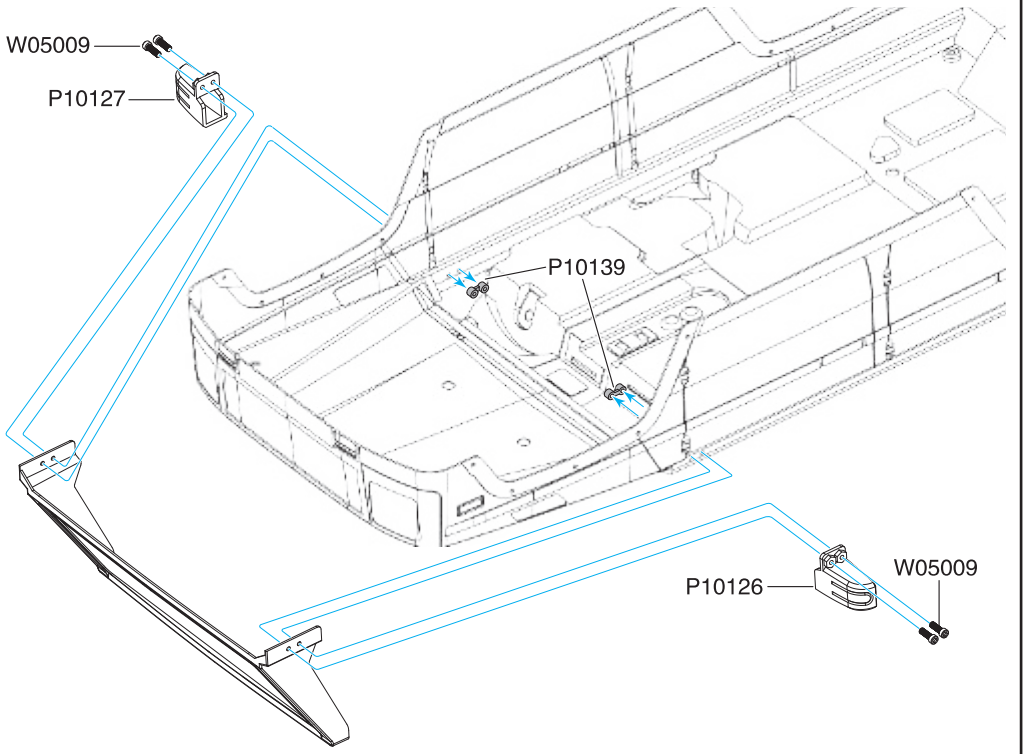
-  1
W05001 4mm geflanschte Nylonmutter
Flanged nylon nut
-  10
W05002 2.6X8mm Screw
Schraube
-  4
W05003 2.6X10mm Screw
-  1
W05008 4X20mm Screw
Schraube
-  5
W05009 2X6mm Screw
Schraube
-  4
W05010 2X8mm Screw
Schraube

03



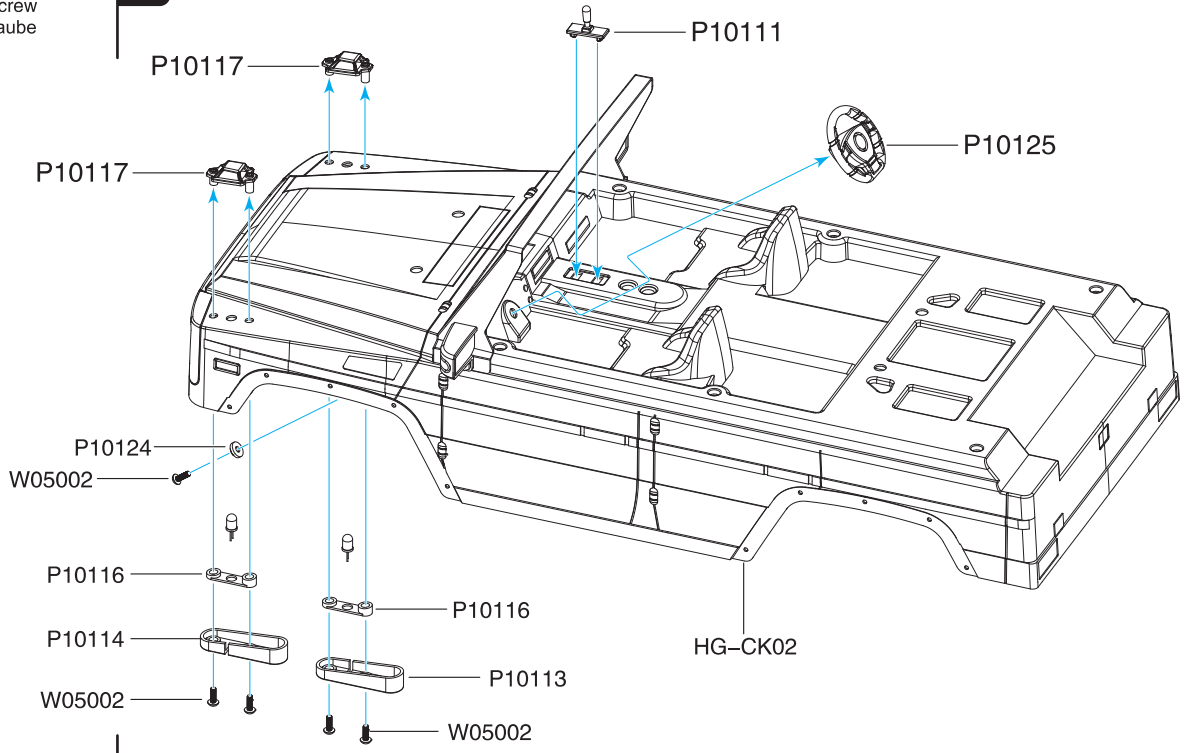
-  4
W05009 2X6mm Screw
Schraube


04



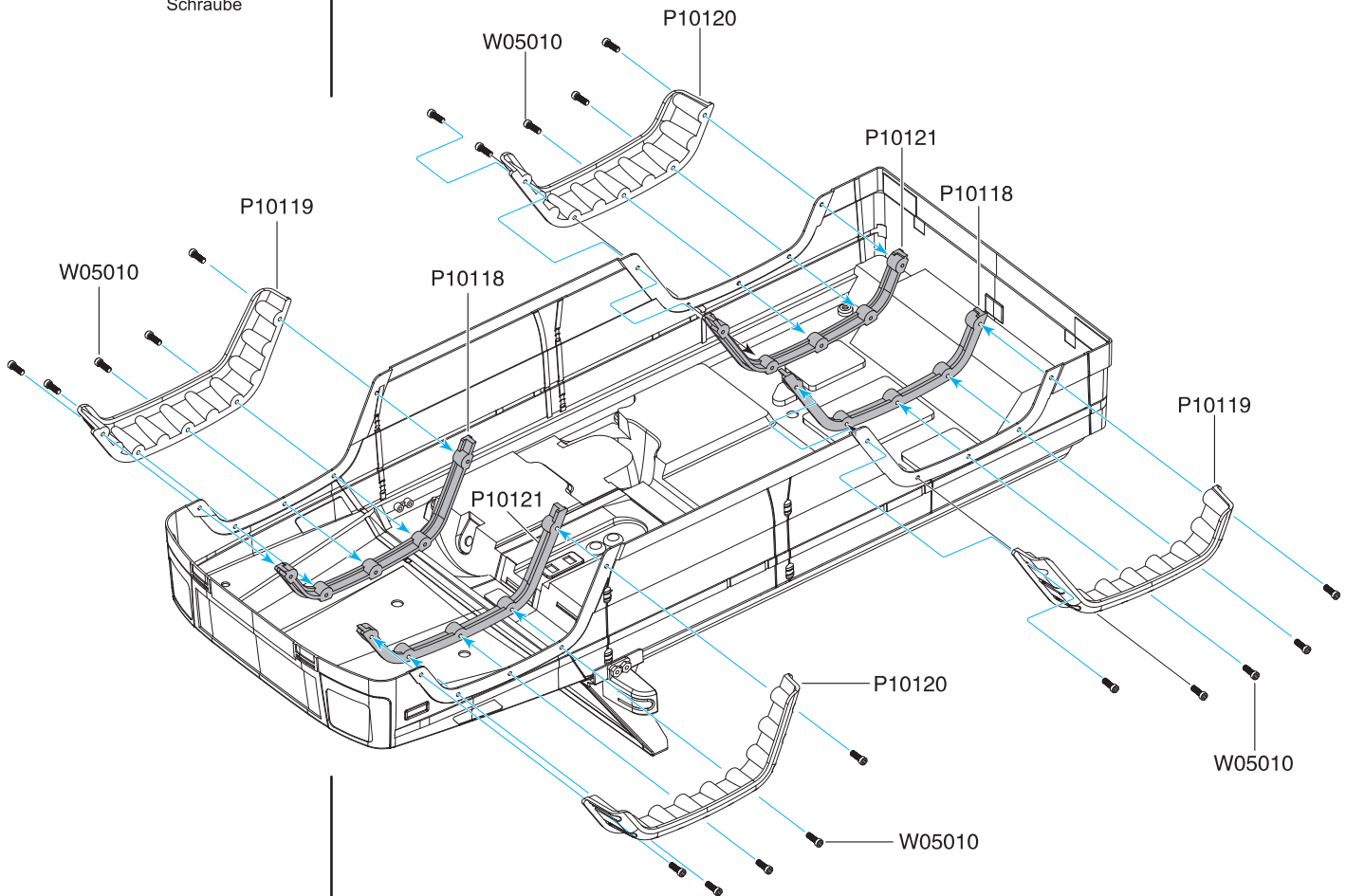
 5
 W05002 2.6X8mm Screw
 Schraube


05



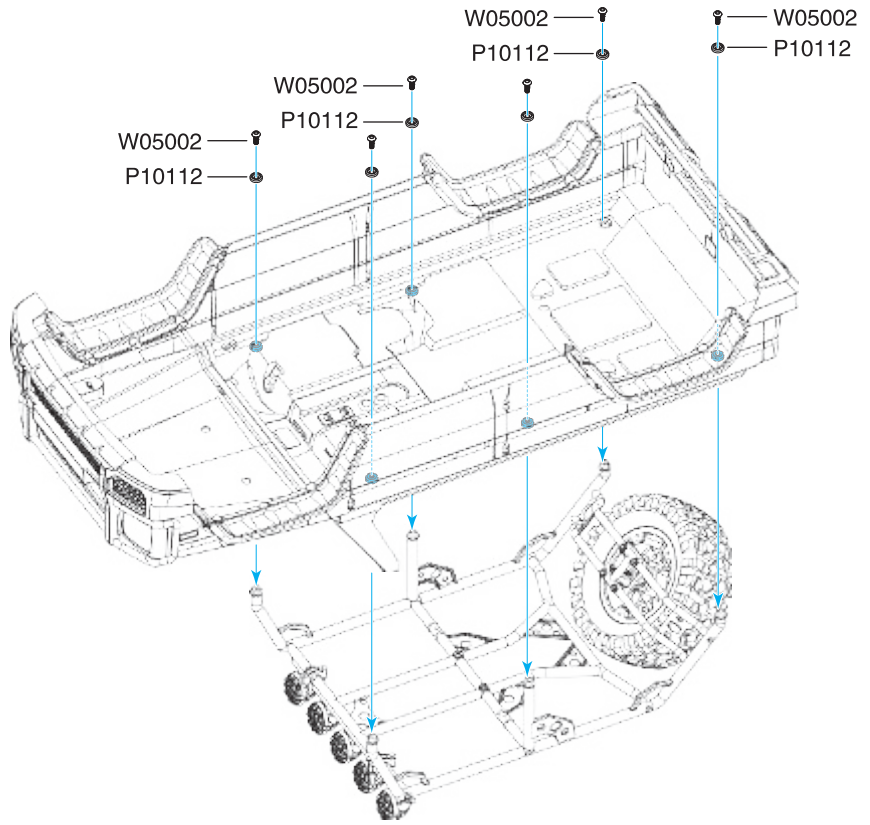
 20
 W05010 2X8mm Screw
 Schraube


06



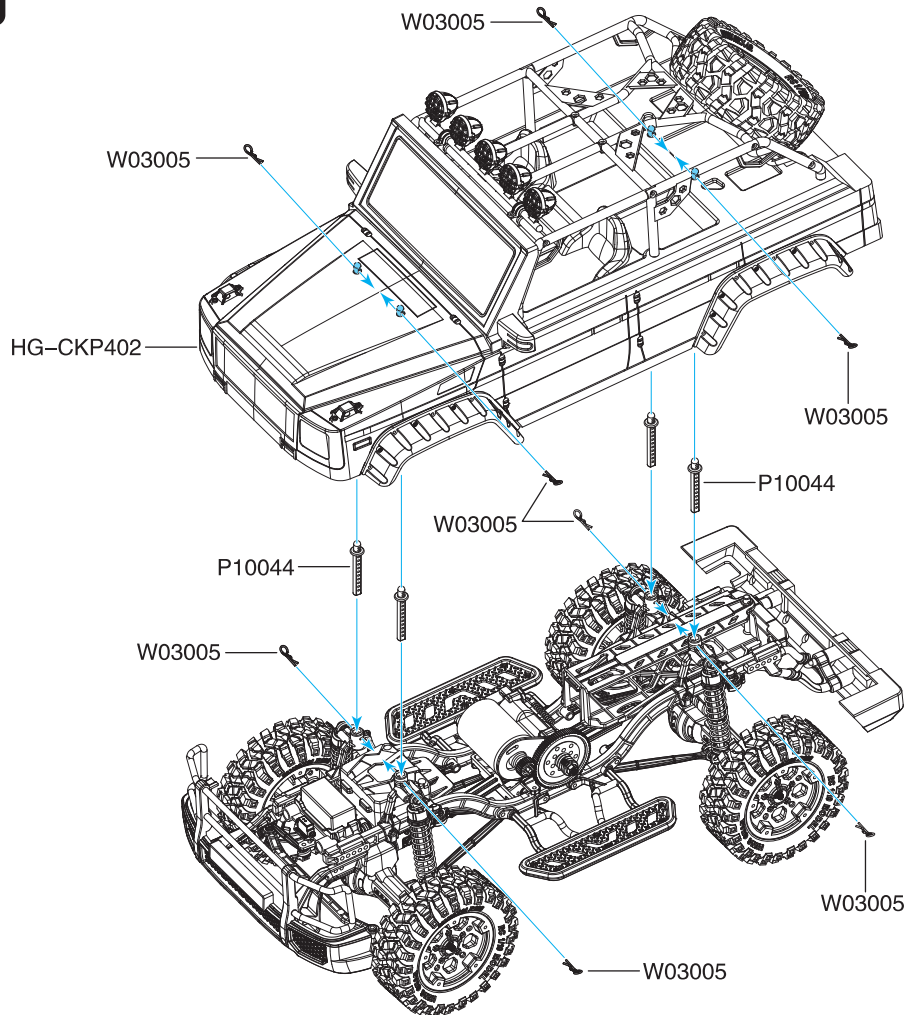
 6
 W05002 2.6X8mm Screw
 Schraube

07

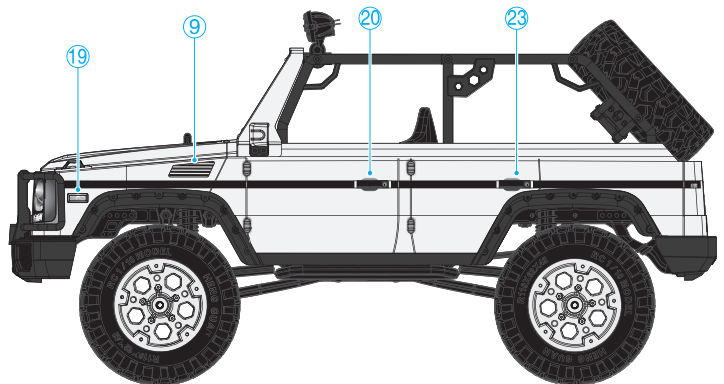
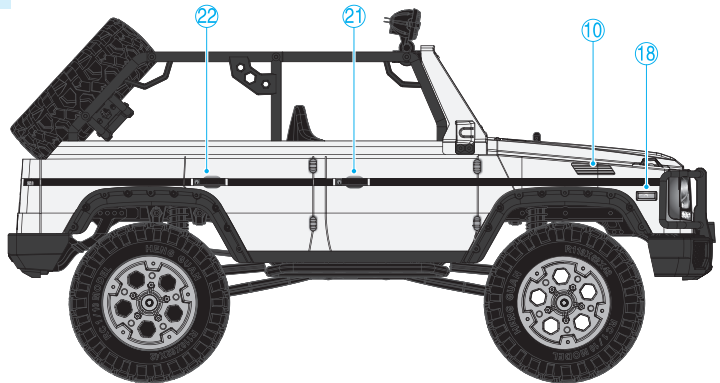
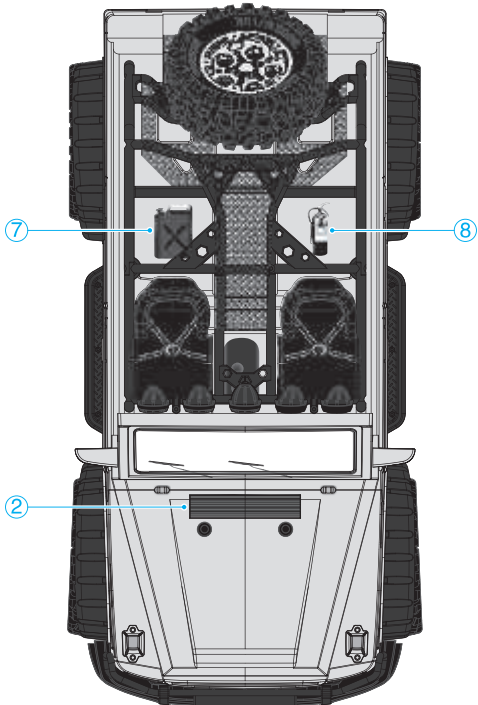
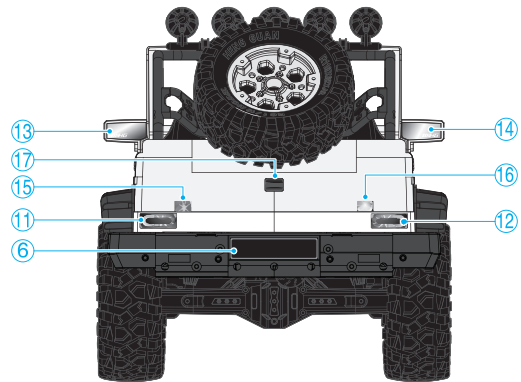
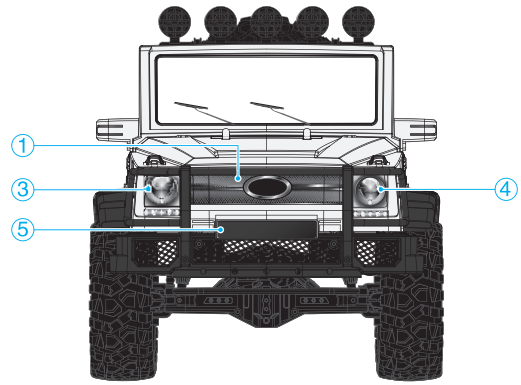
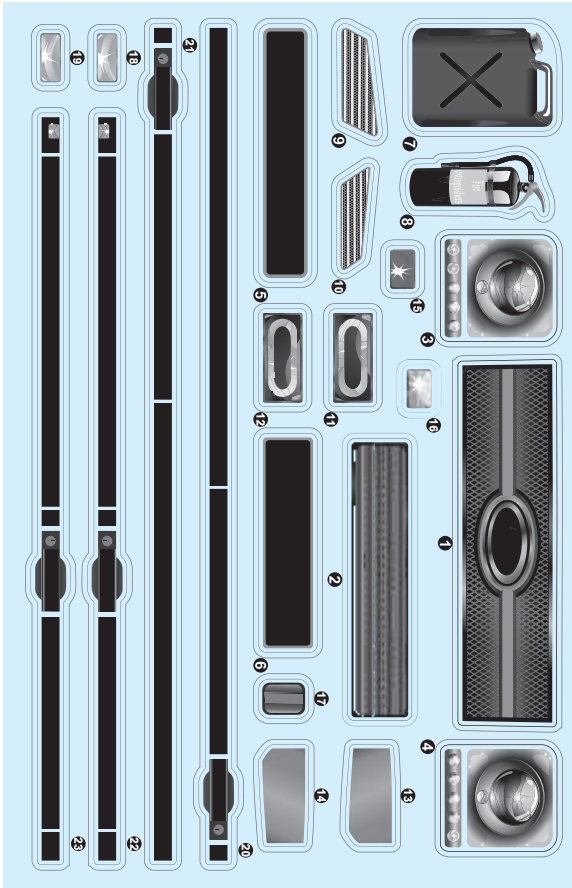


 8
 W03005 1.2mm Hook pin(Big)
 Haken-Pin

08

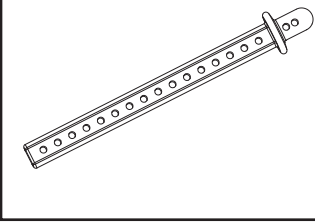


09 Sticker/ The paster sticks a method



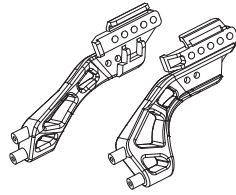
Teieliste/ Part list of the car shell

P10044



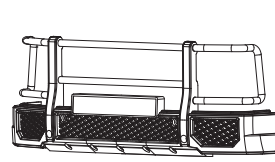
Pfeiler für Haube
Pillar of the car shell

P10101+102



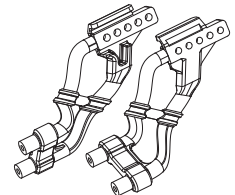
Stoßstangenhalter vorne (L+R)
Front bumper bracket (L+R)

P10103



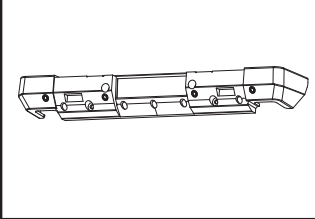
Frontstoßstange
Front bumper

P10104+105



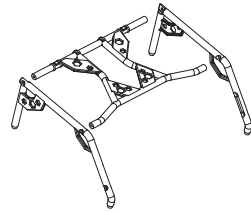
Stoßstangenhalter hinten (L+R)
Rear bumper bracket (L+R)

P10106



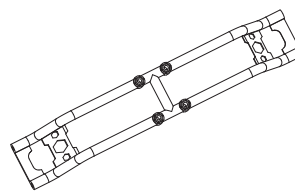
Heckstoßstange
Rear bumper lever

P10107+108+109



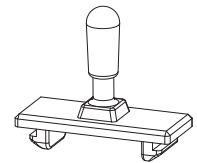
Universal-Autohalterung + Halterung
Universal Car shell bracket (L+R)
+ bracket connecting rack

P10110



Befestigungsträger für Reserverad
Fixing rack for spare wheel

P10111



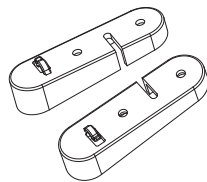
Gangschaltungs-Atrappe
Gear-shifting decoration piece
for the car shell

P10112



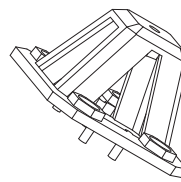
Befestigungsring für die Haube
Fixing ring for the car shell
bracket

P10113+114



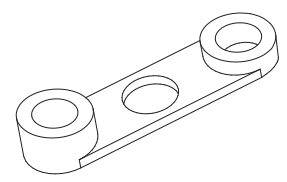
Scheinwerfer für Motorhaube (L+R)
Headlight hood of the car
shell (L+R)

P10115



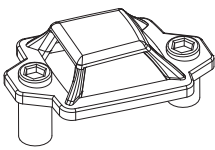
Befestigung für das Reserverad
Fixing seat for the spare
wheel (Small)

P10116



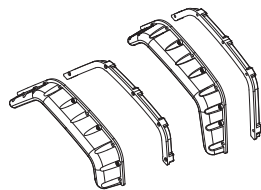
Scheinwerfer Ständer
Headlights stand of the car shell

P10117



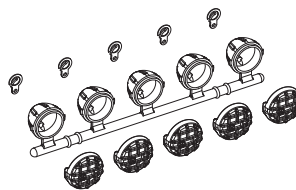
Scheinwerferschutz (Motorhaube)
Headlights protecting hood of
the car shell

P10118+119+120+121



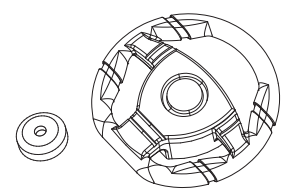
VorderradpPlatte +
Befestigungsstreifen (L+R)
Front wheel panel (L+R) + Fixing
strip of the front wheel panel (L+R)

P10122+123+130



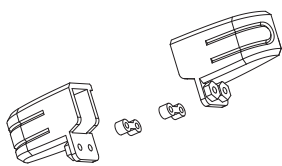
Lampe für Motorhaube + Lampen-
haube + Lampensatz
Lamp hood of car shell +lamp
hood + lamp seat

P10124+125



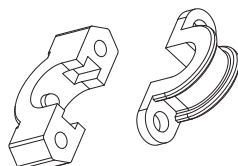
Lenkrad-Atrappe+ Befestigungsring
Steer decoration of the car
shell+ Fixing ring of the steer

P10126+127+139



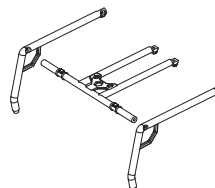
Rückspiegel + Befestigung (L+R)
Rearview lens of the car shell
(L+R) +Fixing piece

P10128+129



Befestigungstücke für Lampenset
Up & down fixing piece for the
lamp seat of the car shell

P10131+132+133



Halter (Haube) (L+R)
Car shell bracket (L+R) + Bracket
connecting rack

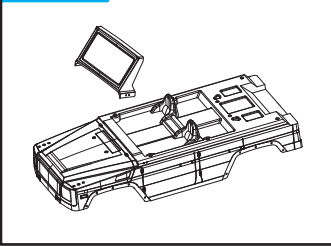
HG-CL02



Rad 02
Wheel 02

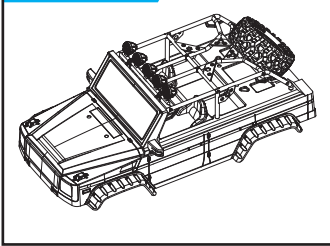
Teileliste/ Part list of the car shell

HG-CK02



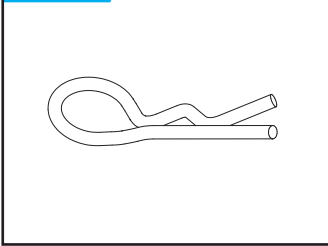
Car shell 02

HG-CKP402



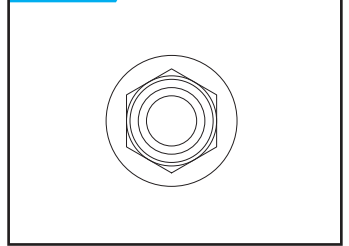
Car shell 02 assembly

W03005



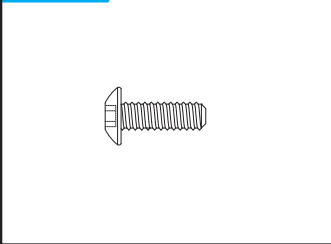
1.2mm Bolt of the car shell (Big)

W05001



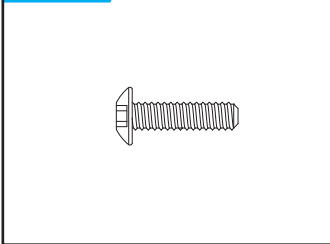
4mm Flanged nylon nut

W05002



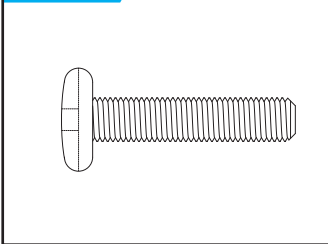
2.6 x 8mm Inner hexagonal T-head self-tapping screw

W05003



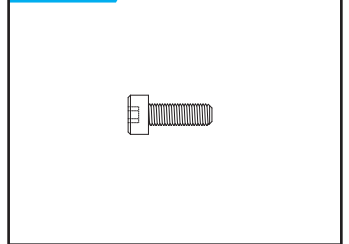
2.6 x 10mm Inner hexagonal T-head self-tapping screw

W05008



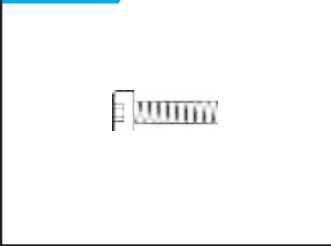
4 x 20mm Ten words big circle head machine screw

W05009



2 x 6mm Inner hexagonal T-head self-tapping screw

W05010



2x8mm Inner hexagonal socket head cup machine screw

W05010



This is original part Number.
Amewi is putting a number in front, example „000-“.

Dies ist die Originalteilenummer.
Amewi setzt hiervoor eine eigene Nummer, z.B.: „000-“.

So AMEWI part number would be : „000-W05010“.
Die AMEWI Teilenummer würde also „000-W05010“ lauten.



WARNUNG:
WARNING:

VERSCHLUCKUNGSGEFAHR---- Kleinteile. Nicht für Kinder unter 6 Jahren geeignet.

CHOKING HAZARD----- Small parts. Not for children under 6 years.

